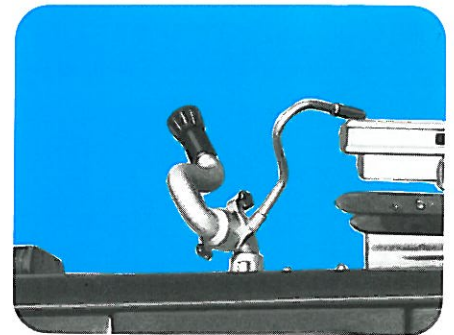
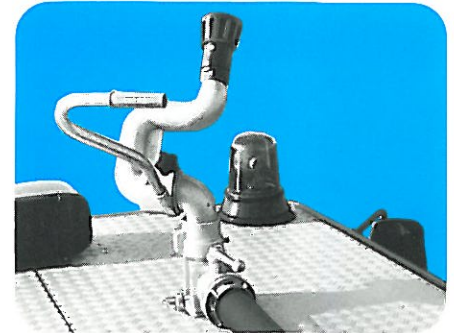
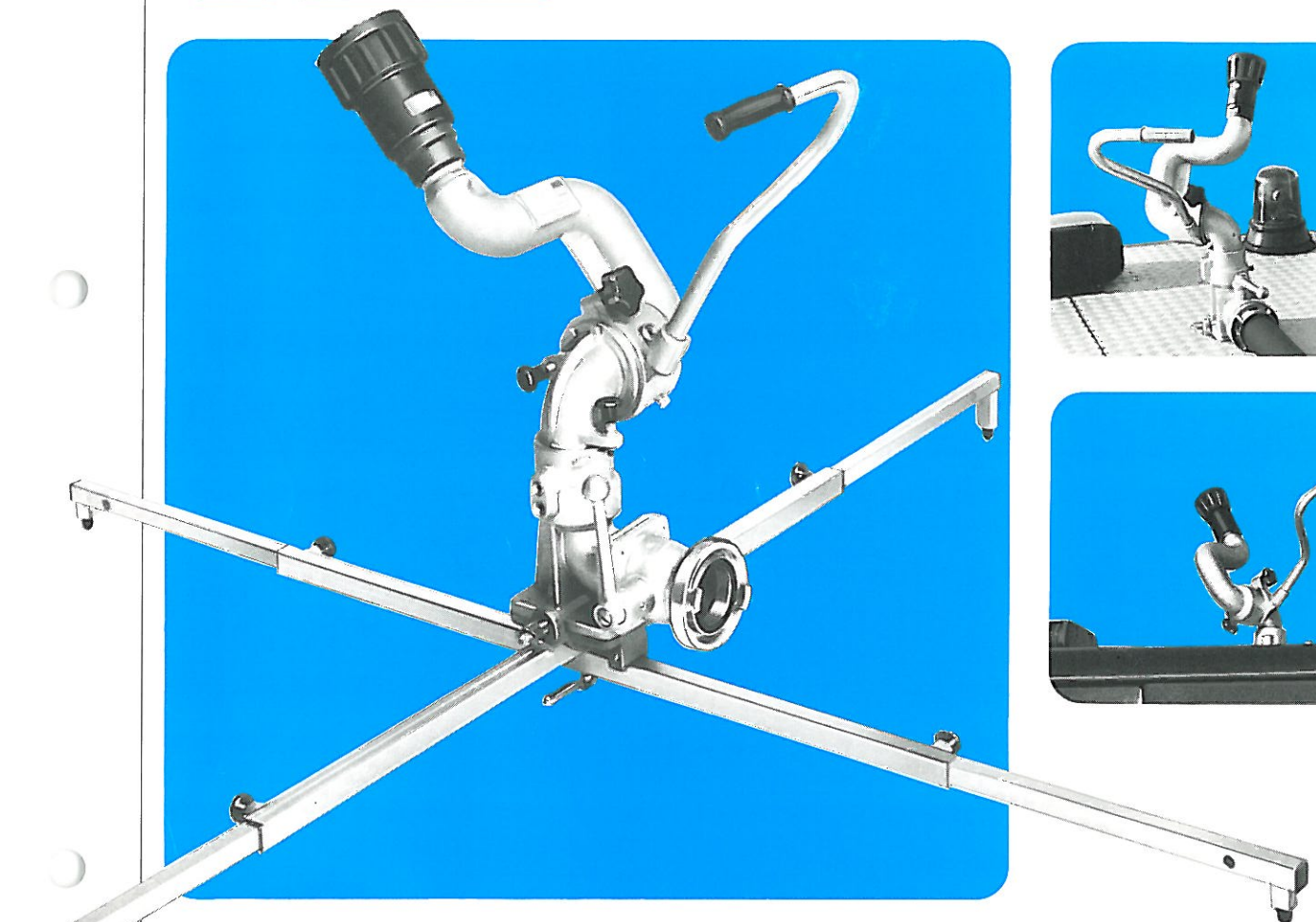


Fire Fighting Fittings

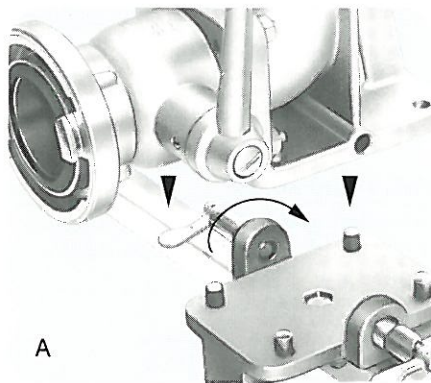
AWG

Turn your Water Tender into a Multipurpose Vehicle with a Wide Range of Applications.



The compact and light-weight Monitor HH 1260 was developed especially for mobile operation. It has a fixable horizontal tilting range of 30° left and 30° right from zero position and can be limitlessly rotated round 360° and has a fixable vertical tilting range of +25° to +90°. Hinges run on ball bearings (subsequent lubrication possible) as well as the steplessly fixable hand lever and the built-in horizontal and vertical adjustable brake ensure good ergonomic operation. The ball shut-off valve mounted directly on the unit aids safe and efficient operation.

**Max Widenmann, Armaturenfabrik
Lederstraße 30-36
D-89537 Giengen/Brenz
POB 16 60
D-89531 Giengen/Brenz
Phone: 0 73 22/1 45-0
Telefax 0 73 22/70 50
Federal Republic of Germany**



The monitor can be completed with a multi-purpose-nozzle (as shown on photo) or with a foam nozzle.

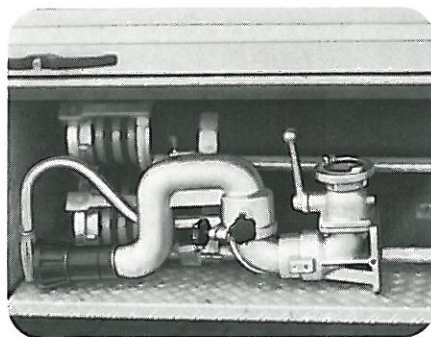
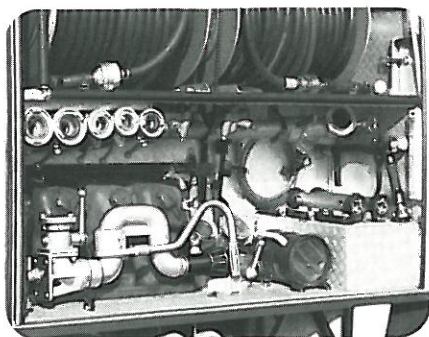
Despite its compact and handy design, the HH 1260 achieves excellent performance ratings (see specifications).

A galvanized frame base with four extendable stand points guarantees holding safety under any operating conditions. The connection between the monitor and the frame base is carried out quickly and easily by means of a plug connection, which is secured by two spring bolts (see illustration A).

The wide range of application possibilities is extended still further by quick and easy roof mounting. The monitor can be released from the floor base with a few easy hand movements and fixed onto the small-scale roof flange provided (see illustration B).

The monitor can be rotated round 360° when the horizontal tilting range is unlocked. The water inlet has a 2 1/2" BSP male thread and can be provided with corresponding 3" Storz or equivalent adapters. Both, the monitor and the frame base can be folded down with only a few hand movements for transportation and for space-saving storage in the vehicle.

After use: Space saving storage in the vehicle



Specifications and Accessories:

Monitor and nozzle made of hard anodized aluminium.
Ball valve and roof flange made of anodized aluminium.
Foam nozzle made of aluminium; steel parts are galvanized; head with integrated teeth is made of Nitrile rubber.

Weights	Ident-no.
Overall weight	ap. 21,8 kg
Basic unit	ap. 10,4 kg 1.04598.38
Nozzle MZ1200	ap. 2,3 kg 3.03231.35
Flap frame	ap. 9,1 kg 1.04593.48

Output

Water flow rate	1200 ltrs/min at 8 bar
Throw range	52 m

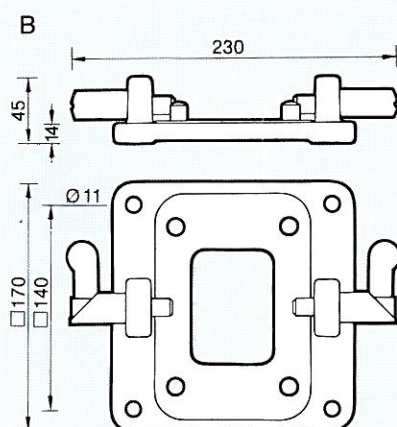
Required Storage Space

Monitor	ap. 780 x 305 x 245 mm
Frame base	ap. 1190 x 155 x 140 mm

Accessories suitable for use with Monitor HH 1260

Roof flange

weight:	1,4 kg
Ident-no.	8.00625.34



Automatic nozzle

Water flow rate	190 l/min. at 5 bars
	1400 l/min. at 8 bars
	1650 l/min. at 10 bars
Weight	1,9 kg
Ident-no.	2.01855.35

AWG Foam nozzle

self-priming with built-in inductor and control valve for 2-6 percent foam agent additive.

Water flow rate:	1070 l/min. at 8 bars
	1210 l/min. at 10 bars
Foam volumes:	6000-7200 l/min. at 5% protein-foam
	14400-18000 l/min. at 3% multirange-foam
Foam throw range:	40 m at 10 bars
Water inlet:	2" female swivelling
Foam agent inlet:	Storz 25 mm adapter

Fire Fighting Fittings

AWG

Overall length:	1.190 mm
weight:	4,2 kg
Ident-no.	2.04555.34

Foam pick up hose length 1.5 m

19 mm inside diameter for AWG foam pipe, on one side with Storz 25 mm hose coupling,	
weight:	0.55 kg
Ident-no.	6.02206.00

Foam pick up hose length 1.5 m

with additional tube 1 m	
weight:	1,0 kg
Ident-no.	6.03241.00

