

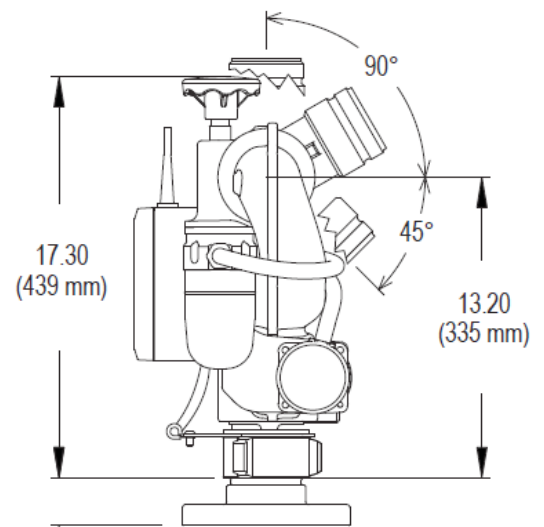


Tornado RC

Electric remote control monitor

Compact and rugged

- **Flow** from 40 to 2000 l/min -16 bar.
- **Elevation** : +90° to -45° (changeable to +45° to -20°).
- **Rotation** : 370°, either side of the center position.
- Friction loss : 0.4 bar at 1000 l/min.
- Power cable has only 4 conductors (two for power and two for communication).
- Control panel mounted on the monitor for controlling rotation, elevation and nozzle pattern.
- Handwheels for manual override are provided.
- Electric drives and control panel are IP65.
- Design for 12VDC or 24VDC operation.
- **Quick connecting system.**



- Body in anodised aluminium models
- Material : Aluminium with corrosion proof Process (inside and outside Hardcoat anodized / Polyester powder coated)
- Cable already wired to the monitor so installation effort is minimized

TORNADO MANUAL

TORNADO MONITOR - OUTLET 1.5" BSP M	I12.00.113
TORNADO MONITOR - OUTLET 2.5" BSP M	I12.00.114

TORNADO REMOTE CONTROL MONITOR

TORNADO RC MONITOR - OUTLET 1.5" BSP M *	I12.02.049
TORNADO RC MONITOR - OUTLET 2.5" BSP M *	I12.02.050

* Inlet to specify : 2,5" BSPT Female, 2,5" ASA150 Flange, DN80 / PN16 Flange

ACCESSORIES

ULTIMATIC ER NOZZLE – 40 to 500 l/min – INLET 1.5 " BSP F	I12.42.031
MIDMATIC ER NOZZLE – 260 to 760 l/min – INLET 1.5 " BSP F	I12.42.033
MIDFORCE ER NOZZLE – 260 to 760 l/min – INLET 1.5 " BSP F	I12.42.035
MAXMATIC ER NOZZLE – 400 to 2000 l/min – INLET 2.5 " BSP F	I12.42.034
MAXFORCE ER NOZZLE – 400 to 2000 l/min – INLET 2.5 " BSP F	I12.42.036
PRIMARY OPERATOR STATION	I12.48.151
OPTIONAL OPERATOR STATION	I12.48.152
PORTABLE OPERATOR STATION W/ 9M WIRE	I12.48.153
PORTABLE OPERATOR STATION W/ 30M WIRE	I12.48.154
WIRELESS OPERATOR STATION (UP TO 150M)	I12.48.164
JOYSTICK STATION	I12.48.160
MONITOR POSITION DISPLAY	I12.48.159
REMOTE CONTROL TOPGUN TELESCOPIC MAST 3" RC	I12.48.156



TORNADO Manual

- Flow from 40 to 2000 l/min -16 bar
- Elevation: +90° to -45°
- Rotation : 360° endless



ZF02.020.EN.1

As it is our policy to constantly seek to improve our products, we reserve the right to change the specifications of our equipment without notice

