



## ULTRA POWER 4 PFPN 10-1000/10-1500

Portable pump with Volkswagen 3 cylinder 4 stroke aluminium engine with electronic fuel injection designed as PFPN 10-1000 and 10-1500 tested according to EN 14466.

**Ziegler**



# ULTRA POWER 4 – PURE PERFORMANCE

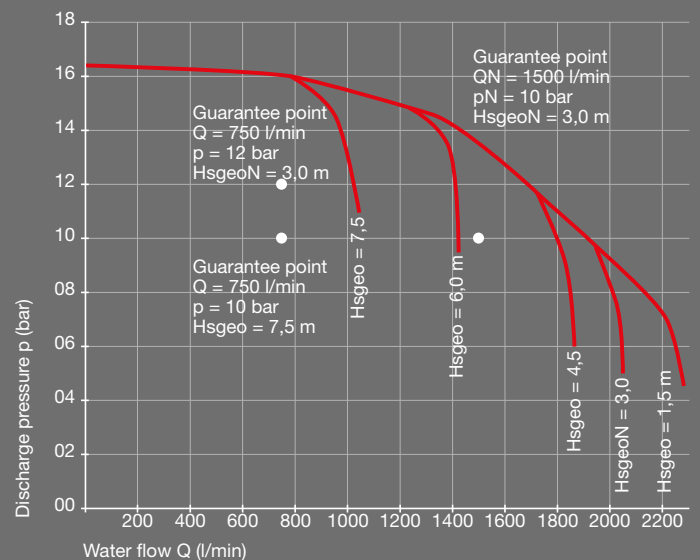
Top fire fighters choose top performance:  
the **ULTRA POWER 4**.



## 1900 l Water output at an outlet pressure of 10 bar

- Simplest operation
- Automatic centrifugal clutch operation
- Illuminated display (day and night)
- Pump pressure governor Tourmat D
- Compact external dimensions
- Worldwide service network
- Comprehensive accessories

Simplest operation due to automatic engagement of the pump. The ULTRA POWER 4 is the most powerful portable pump according to EN 14466. The pump operator will be relieved thanks to an automatic control of the outlet pressure of the Tourmat D. The pumping operation is possible without additional switching.



# PRODUCT SURVEY

# ULTRA POWER 4

Types according to DIN EN 14466 and ÖNORM EN 14466

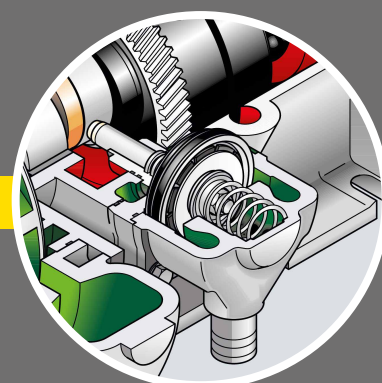
Features: Engaging by automatic centrifugal clutch. Automatic rpm limitation at suction action. State-of-the-art engine technology, environment-friendly, low vibration, smooth running. Extensive Volkswagen service network for maintenance. Optimum operation of the portable pumps thanks to new control panel. All controls are clearly and user-friendly arranged on a panel.



Non-stop operation by  
**external refuelling**



**Multi-function display**  
- ease of use,  
clear operation



**TROKOMAT PLUS**  
The patented Ziegler priming system

## TOP PERFORMANCE OVERVIEW:

### **PUMP PFPN 10-1000/10-1500 ACCORDING TO DIN 1028**

Pump PFPN 10-1000/10-1500 according to DIN 1028  
One-stage centrifugal fire pump of high efficiency.  
Water-bearing parts of sea-water resistant light alloy  
and corrosion-resistant steel. Sealing of the pump by  
radial seals. With suction inlet size A and two delivery  
outlets size B with self-closing screw-down valves, all  
of them with tight couplings and blank caps.  
Power transmission from engine via automatic centrifugal  
clutch.

### **GAUGES AND CONTROLS:**

Improved handling thanks to clear multifunction display:

- Graphic tank indication with reserve warning light
- Rpm counter and control light for suction rpm limitation
- Working hour recorder
- Warning and control lights for cooling water, oil pressure and charging control

### **PRIMING SYSTEM: FULLY AUTOMATIC TROKOMAT PLUS**

### **ENGINE:**

Volkswagen 3 cylinder 4 stroke aluminium engine with  
electronic fuel injection. Output 50 kW at 5400 rpm.  
State-of-the-art engine technology, environment-friendly,  
low vibration, smooth running. Extensive Volkswagen  
service network for maintenance. Automatic centrifugal  
clutch. Optimum operation thanks to new Z-Control panel  
with clear multi-function display.

### **STARTING SYSTEM:**

Electric starter, recoil starter as option

# Worldwide service network: you are always on the safe side.

Worldwide service network  
thanks to the installed Volkswagen engine.

Powerful use,  
reliable handling.



PFPN 10-1000, TEST NUMBER AZ 10101P314  
PFPN 10-1000, ÖNORM, FT 6/495/01/2014

PFPN 10-1500, TEST NUMBER AZ 10151P314  
PFPN 15-1500, ÖNORM, FT 6/495/02/2014

**1098001 ULTRA POWER 4 WITHOUT TOURMAT**

**1098002 ULTRA POWER 4 WITH TOURMAT**

## REFUELLING

Shapely symmetric plastic cowling. 17 l Fuel tank for non-leaded premium gasoline (ROZ 95) or regular gasoline (ROZ 91).

## LIGHTING

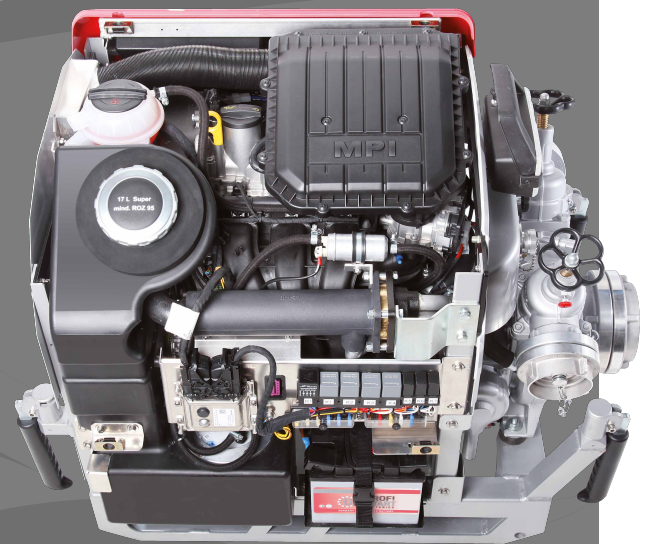
1 Halogen spotlight extendible. Swivelling and tiltable in all directions.

## CARRYING FRAME OF THE PORTABLE PUMP

High-strength light metal frame with four ergonomically hinged and turnable handles as well as rubberized cold hand guard.

## EASY TO HANDLE

After opening of the cover checking respectively refuelling of cooling agent and engine oil is particularly easily possible.



Illustrations might show accessories and/or special equipment  
which are not included in the standard scope of supply or  
performance range.



# ALL ACCESSORIES ARE AVAILABLE



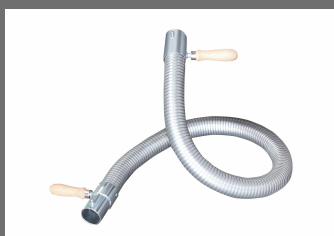
**TRANSPORT UNIT**  
PFPN 10-1000/10-1500

**020061**  
Simple and quick assembly.  
Transport by one person is possible.



**DIRT STRAINER FOR TANK FILLER NECK**

**733845**  
The dirt strainer prevents entering of debris in the fuel tank.



**EXHAUST HOSE**

**083221**  
1,5 m long, for discharge of exhaust gases.



**TOOL KIT**

**064056**  
All necessary tools are included and packed in a high-quality plastic box.

# Non-stop operation thanks to external refuelling

External refuelling is possible, thus a considerably higher operating time will be achieved. 20 l Metal fuel can, fuel intake system and additional connection to the portable pump are included in the scope of supply.



**1098004 ULTRA POWER 4 (WITHOUT TOURMAT) WITH EXTERNAL REFUELLING SET**

**1098005 ULTRA POWER 4 (WITH TOURMAT) WITH EXTERNAL REFUELLING SET**



**INSTALLATION KIT CHARGING MAINTENANCE 230 V, INSTALLED**

**1119290**

For providing constant monitoring and charging maintenance of the battery connection via cable to a 230 V socket.



**VEHICLE INSTALLATION KIT FOR SELF-INSTALLATION**

**1047145** Vehicle installation kit 12 V.

**1047146** Vehicle installation kit 24 V. For constant monitoring and charging maintenance of the battery the connection via the sockets Magcode or BEOS.



**SOCKET MAGCODE**

**1116923**

Magnetic coupling socket for charging maintenance of the portable pump.



**SOCKET BEOS**

**1050586**

Three-pole screw-type socket for charging maintenance of the UP 4.



**NATO EMERGENCY START SOCKET**

**1118517**

For external start of the portable pump at discharged battery.



**SOCKET FIRECAN**

**1118987**

Interface between UP 4 and external components which support this system



**RECOIL STARTER, MANUAL EMERGENCY START UNIT**

**210737**

For starting the portable pump a residual voltage of the battery is required.

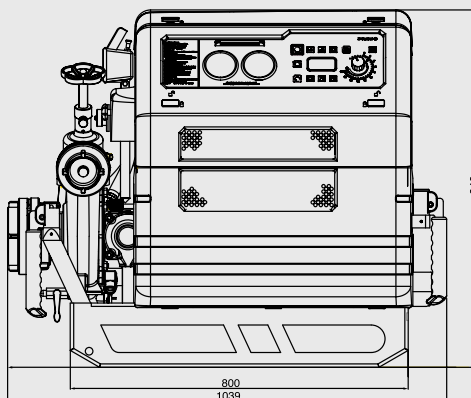
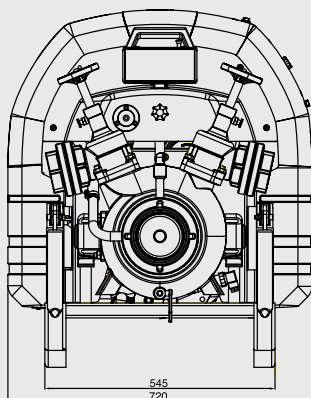


**CONTAINER FOR RECOIL STARTER**

**213008**

High-quality plastic container for safe storage of the recoil starter.

# Technical data of ULTRA POWER 4



<b>NOMINAL OUTPUT:</b>	1000 l/min at 10 bar and 3 m geod. suction height 1500 l/min at 10 bar and 3 m geod. suction height
<b>PUMP OUTPUT:</b>	<ul style="list-style-type: none"> <li>at 3 m geod. suction height approx. 1900 l/min at 10 bar</li> <li>at 3 m geod. suction height 2000 l/min at 8 bar</li> <li>at 1,5 m geod. suction height 2150 l/min at 4 bar</li> <li>at 7,5 m geod. suction height 1050 l/min at 8 bar</li> <li>Output as bilge pump at 3 m geod. suction height: 2000 l/min</li> </ul>
<b>SUCTION TIME:</b>	<ul style="list-style-type: none"> <li>5 s at 3 m geod. suction height</li> <li>19 s at 7,5 m geod. suction height</li> </ul>
<b>PUMP:</b>	<ul style="list-style-type: none"> <li>FPN 10-1500 according to EN 1028</li> <li>One-stage centrifugal fire pump of high efficiency.</li> <li>Water-bearing parts of sea-water resistant light alloy or stainless steel.</li> <li>Sealing of the pump by radial seals.</li> <li>With suction inlet size A and two delivery outlets size B with self-sealing screw-down valves, all of them with tight couplings and blank caps.</li> <li>Power transmission from engine via automatic centrifugal clutch.</li> </ul>
<b>PRIMING SYSTEM:</b>	Proven fully automatic TROKOMAT PLUS
<b>GAUGES AND CONTROLS:</b>	<ul style="list-style-type: none"> <li>All control elements are functionally integrated in the cowling.</li> <li>Pressure gauge and mano-vacuummeter</li> <li>Start button</li> <li>Turning handle for throttle (controls electronically)</li> <li>Control panel with bright LED lighting</li> <li>Multi-function display for: graphic tank indication with reserve warning light, rpm counter, control light for suction rpm limitation, working hour recorder, warning and control lights for cooling water, oil pressure, charging control</li> </ul>

<b>ENGINE:</b>	<ul style="list-style-type: none"> <li>Volkswagen 3 cylinder 4 stroke aluminium engine with electronic fuel injection</li> <li>Output 50 kW at 5400 rpm.</li> <li>Displacement 999cm<sup>3</sup></li> <li>Cooling by closed cooling water circulation with heat exchanger and additional cooler.</li> <li>Electronic two-stage rpm limitation for suction and max. rpm acting on the injection unit, contactless battery ignition, maintenance-free valve operation thanks to roller lever.</li> <li>Starter: electric start with one-man emergency system through starter cable (optionally)</li> <li>Shapely symmetric plastic cowling</li> <li>17 l Fuel tank for unleaded premium gasoline (ROZ 95), alternatively regular gasoline (ROZ 91), Engine control by knock sensor</li> <li>Fuel pump with filling level indicator integrated in tank, fuel cock is deleted.</li> </ul>
<b>LIGHTING:</b>	1 Halogen spotlight, extendible and can be swivelled and tilted in all directions
<b>CARRYING FRAME:</b>	High-strength light metal frame with four ergonomically hinged and turnable handles as well as rubberized cold hand guard.
<b>DIMENSIONS:</b>	<ul style="list-style-type: none"> <li>Length 1039 mm</li> <li>Width 720 mm</li> <li>Height 846 mm</li> </ul>
<b>WEIGHT:</b>	approx. 188 kg (ready for action)



**ALBERT ZIEGLER GMBH**

Memminger Straße 28 • 89537 Giengen/Brenz • Germany

Phone: +49 7322 951-0 . Fax: +49 7322 951-464

ziegler@ziegler.de . www.ziegler.de

Illustrations may include optional equipment.  
For any typographical errors, we assume no liability.  
July 2014 / 972/8/1/0714/MA1